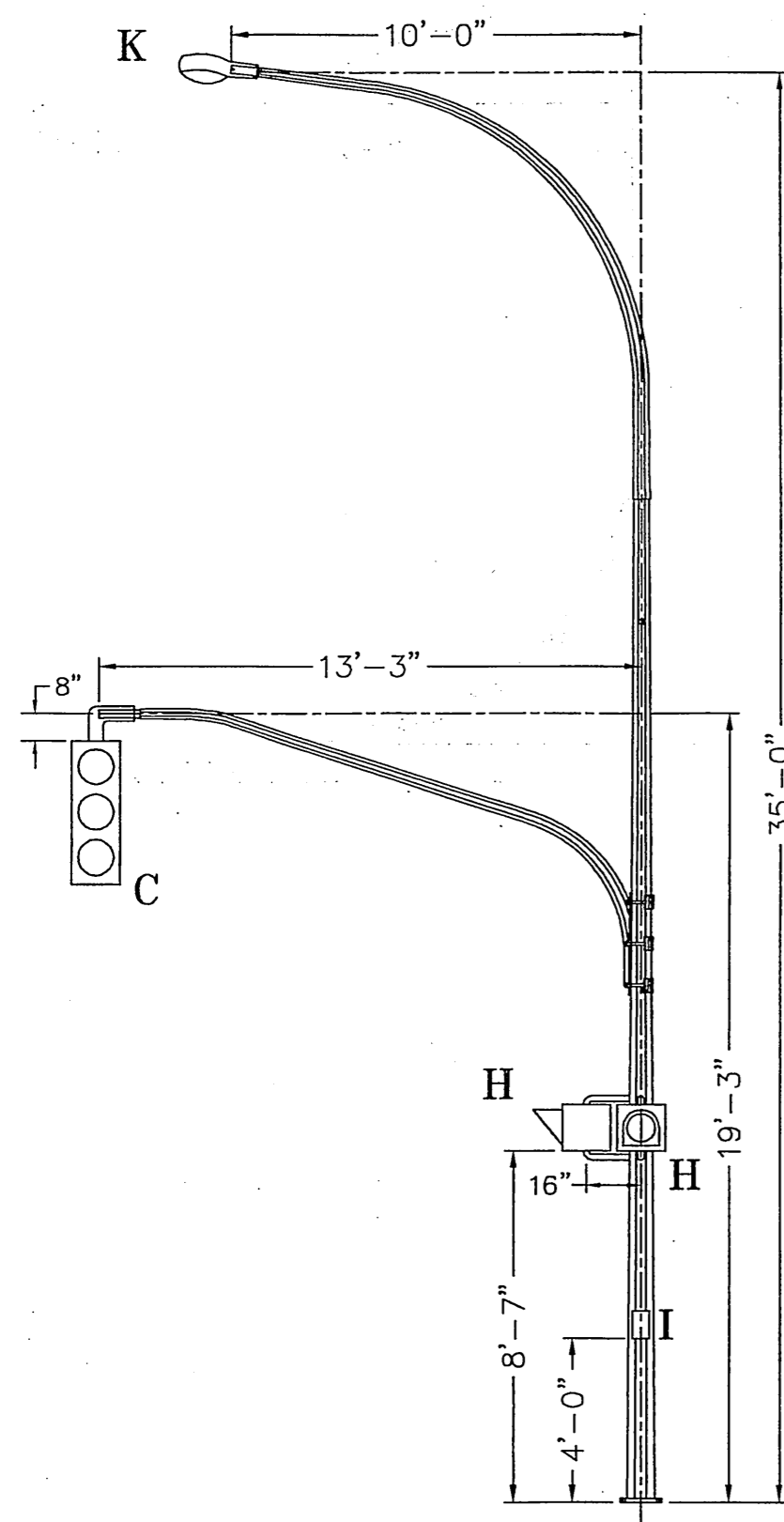


**35 FOOT SIGNALS STREET LIGHTING JOINT USE POLE**

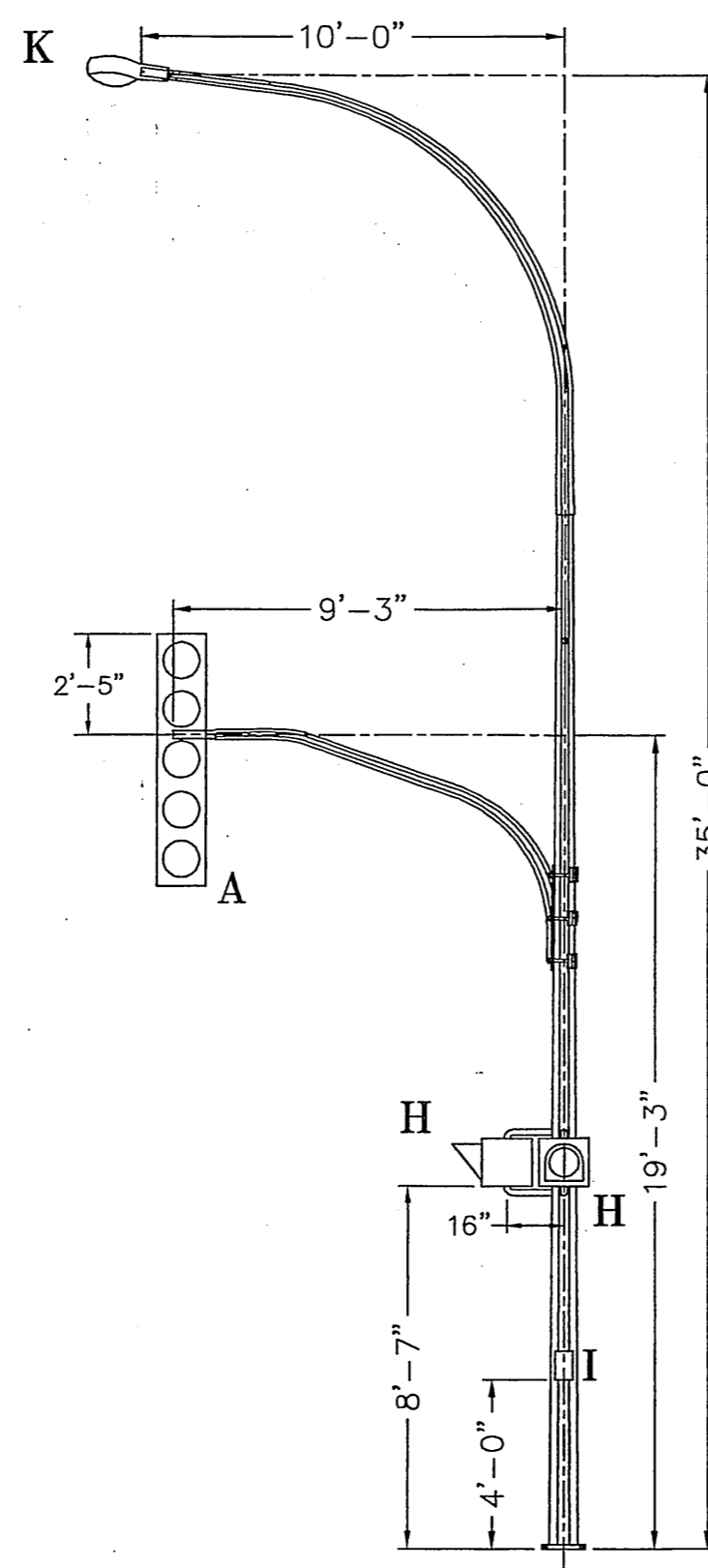
DESIGN AS PER THE 2001 4th EDITION OF THE AMERICAN ASSOCIATION OF STATE HIGHWAY AND TRANSPORTATION OFFICIALS (AASHTO) STANDARD SPECIFICATIONS FOR STRUCTURAL SUPPORTS FOR HIGHWAY SIGNS, LUMINAIRES AND TRAFFIC SIGNALS. THE 35 FOOT SIGNALS STREET LIGHTING JOINT USE POLE IS DESIGNED TO SUPPORT LOADS AS SHOWN ON THIS DRAWING FOR AASHTO GROUP LOAD COMBINATION II. RESULTS FOR ANCHOR RODS ARE LISTED IN DESIGN RESULT REPORT. THE DESIGN WIND PRESSURE  $P_z=0.00256KzGV^2I_rCd$  psf WHERE  $(0.00256 GV^2)=25.6$  psf,  $K_z$  AS PER AASHTO TABLE 3-5 EXCEPT NOT LESS THAN 1.0,  $I_r=1.0$  FOR 50 YEAR DESIGN LIFE AND  $C_d$  AS PER AASHTO TABLE 3-6.

**PROPERTIES OF SIGNALS AND SIGNS**

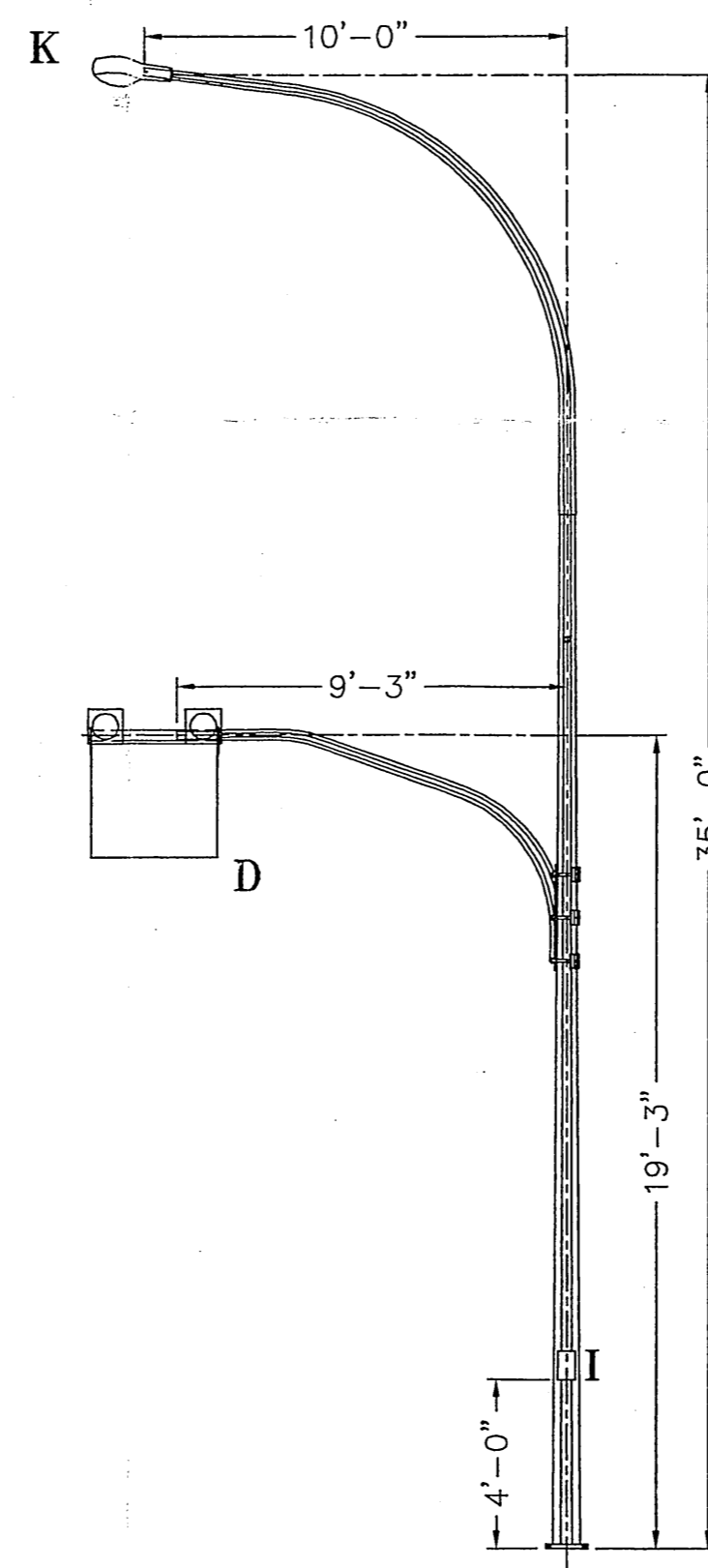
- FACE, END AND BOTTOM AREAS LISTED BELOW DO NOT INCLUDE DRAG COEFFICIENT
- A 5 SECTION 12" SIGNAL HEAD PLUMBIZER ATTACHMENT  
FACE AREA 7.0 sq. ft. (14" x 72")  
END AREA 1.34 sq. ft.  
WEIGHT 80 lb.
  - C 3 SECTION 12" SIGNAL HEAD HANGER ATTACHMENT  
FACE AREA 4.08 sq. ft. (14" x 42")  
END AREA 1.34 sq. ft.  
WEIGHT 50 lb.
  - D PEDESTRIAN CORRIDOR UNIT WITH FOUR FLASHING LIGHTS  
TOTAL FACE AREA 9.63 sq. ft. (36½"W x 32½"H, EACH LIGHT 10" SQ.)  
BOTTOM AREA 4.56 sq. ft. (36½"W x 18"D)  
TOTAL WEIGHT 100 lb.
  - H TWO PEDESTRIAN HEADS AT 90°  
TOTAL EFFECTIVE PROJECTED AREA 3.3 sq. ft. (EACH 13½" W x 13½" H)  
TOTAL WEIGHT 50 lb.
  - I TRAFFIC SIGN  
FACE AREA 0.28 sq. ft. (5" W x 8" H)  
WEIGHT 5 lb.
  - K 250 WATT STREET LIGHT LUMINAIRE  
EFFECTIVE PROJECTED AREA 2.15 sq. ft.  
TOTAL WEIGHT 60 lb.



**LOAD CONFIGURATION 1A**  
8 FT OR 12 FT CLAMP ON ARM



**LOAD CONFIGURATION 2A**  
8 FT CLAMP ON ARM



**LOAD CONFIGURATION 3A**  
8 FT CLAMP ON ARM

NOTE: LOAD CONFIGURATION 1A, 2A & 3A ARE MAXIMUM LOADING USING 4-1" DIA. ANCHOR RODS ON 11½" BCD.



1	FEB 2 2005	REDRAWN AND ADDED SHEET 2 & 3.	<i>D. Selme</i>
REV. No.	DATE	REVISIONS	APPROVED
<b>THE CITY OF WINNIPEG</b> PUBLIC WORKS DEPARTMENT TRANSPORTATION DIVISION			
<b>GES ENGINEERING INC.</b> CALGARY, AB. PHONE (403) 240-2921 FAX (403) 240-3713			
35 FT. SIGNALS STREET LIGHTING JOINT USE POLE			
DESIGNED AND APPROVED <i>D. Selme</i>	DRAWN G.G.	DWG No. ST-158	
DATE GES Engineering Inc Jan 12, 2005	DATE DEC 6, 2004	SCALE NTS	SHEET 3 OF 3
			REV. No. 1